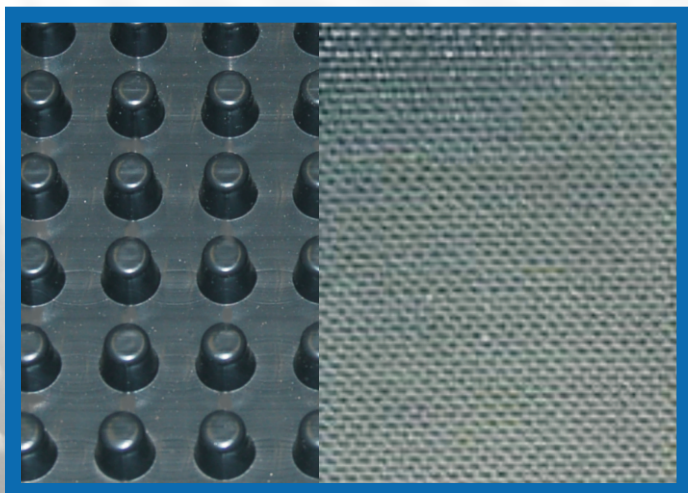




J•DRAIN[®]

Prefabricated Drainage Composites



APPLICATIONS

PLANTERS
ROOF GARDENS
PLAZA DECKS
SPLIT-SLABS

J•DRAIN[®] 700 Series

J-DRAIN[®] 700 Series performs a multi-faceted role by providing protection for waterproofing systems and collecting excess water in plaza decks, split slabs, planters, roof top gardens, and other horizontal surfaces. Planting soil is retained while allowing water to pass into the drainage core. The collected water is then conveyed to a proper collection system.

J-DRAIN 700

Consists of a heavy duty impermeable polymeric sheet cusped under heat and pressure to form a high flow dimpled drainage core. The core is then bonded to a layer of woven filter fabric. The filter fabric retains soil or sand particles as well as freshly placed concrete or grout, allowing filtered water to pass into the drainage core.

J-DRAIN 720

The identical properties as **J-DRAIN 700** with the addition of a protection sheet bonded to the back side of the cusped core providing for soft membrane waterproofing systems. **J-DRAIN 720** is compatible with waterproofing without the use of a protection board.

J-DRAIN 740

Consists of a heavy duty impermeable polymeric cusped sheet identical to **J-DRAIN 700**, but bonded to a layer of non-woven filter fabric.

(4 oz/sq yd)

J-DRAIN 760

Consists of a heavy duty impermeable polymeric cusped sheet identical to **J-DRAIN 700**, but bonded to a layer of non-woven filter fabric.

(6 oz/sq yd)

J-DRAIN 780

Consists of a heavy duty impermeable polymeric cusped sheet identical to **J-DRAIN 700**, but bonded to a layer of non-woven filter fabric.

(8 oz/sq yd)

Distributed By:



**CENTRAL
CONSTRUCTION
SUPPLY**

www.centralconstructionsupply.com

(800) 950-4972



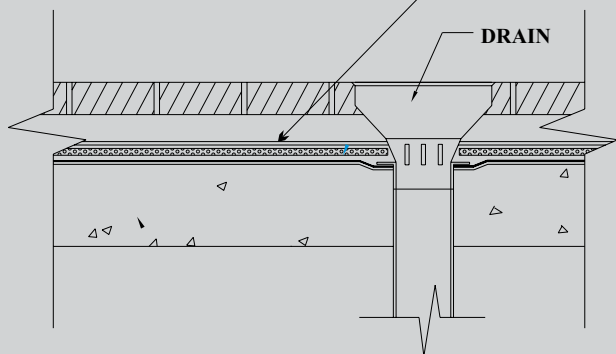
J•DRAIN®

Prefabricated Drainage Composites

APPLICATION:

PLAZA DECKS

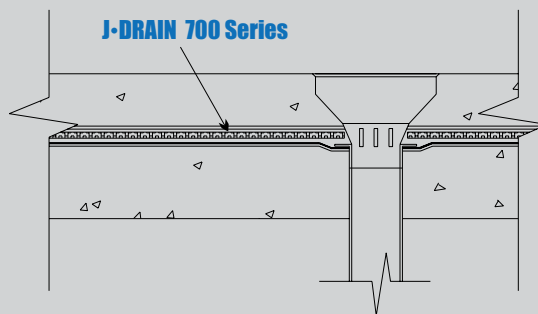
J-DRAIN 700 Series



APPLICATION:

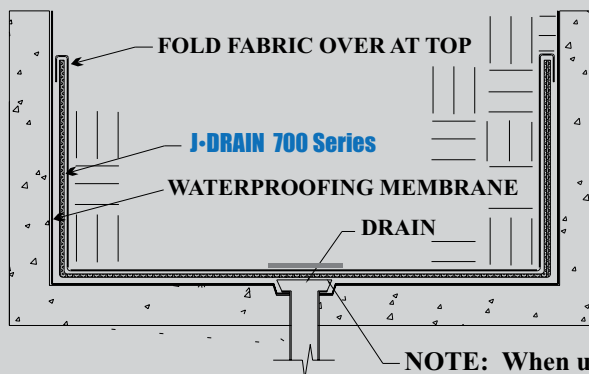
SPLIT-SLAB

J-DRAIN 700 Series



APPLICATIONS:

PLANTERS & ROOF GARDENS



NOTE: When using J-DRAIN 700 series cut and remove drainage core and cover with an aluminum plate as shown.

Physical Properties

Core

Compressive Strength (ASTM D-1621)	21,000 psf	1005 kNm2
Thickness (ASTM D-1777)	.40 in.	1.016 cm.
Flow (ASTM D-4716)	23 gpm/ft width	286 lpm/m width
Hydraulic gradient = 1		

Roll Weight	50,100 lbs.	22,44 kgs.
Roll Width	4 , 8 ft	1.22 , 2.44 m
Roll Length	50 ft.	15.24 m

Fabric

	700/720	740	760	780
Flow (ASTM D-4491)	60 Gpm/ft2 2460 lpm/m2	140 gpm/ft2 5704 lpm/m2	110 gpm/ft2 4481 lpm/m2	95 gpm/ft2 3870 lpm/m2
CBR Puncture (ASTM D6241)	850 lbs. 3.781 kN	250 lbs. 1.113 kN	410 lbs. 1.825 kN	500 lbs. 2.224 kN
AOS(EOS) (ASTM D-4751)	40 U.S.Sieve .42 mm	70 U.S.Sieve .212 mm	70 U.S.Sieve .212 mm	80 U.S.Sieve .18 mm
Grab Tensile (ASTM D-4632)	370x250 lbs 1.647x1.113 kN	100 lbs .445 kN	160 lbs .712 kN	205 lbs .912 kN

The information contained herein is believed by JDR Enterprises, Inc. to be accurate and is offered solely for the customer's consideration, investigation and verification. Determination of suitability for use is the responsibility of the user. JDR's Limitations, Limited Warranty, & Disclaimer along with Standard Terms & Conditions apply. See www.j-drain.com for more info. Limitations: J-DRain is resistant to chemicals in normal soil environments. However, some reagents may affect the performance of J-DRain. A JDR representative should be contacted for further information to determine the suitability of use of J-DRain in unusual soil environments. J-DRain should be limited to its exposure to ultra-violet sunlight. J-DRain should be backfilled or covered within seven days of installation. Disclaimer: All information, drawings and specifications are based on the latest published information at the time of printing. JDR reserves the right to make changes due to manufacturing improvements and engineering at any time. All physical properties are minimum average roll values (MARV). Standard variations of 10% in mechanical properties and 15% in hydraulic properties are normal.

Distributed By:



**CENTRAL
CONSTRUCTION
SUPPLY**

www.centralconstructionsupply.com

(800) 950-4972